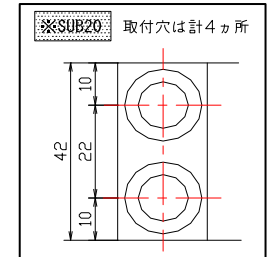
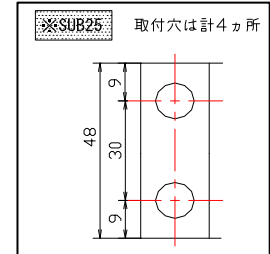
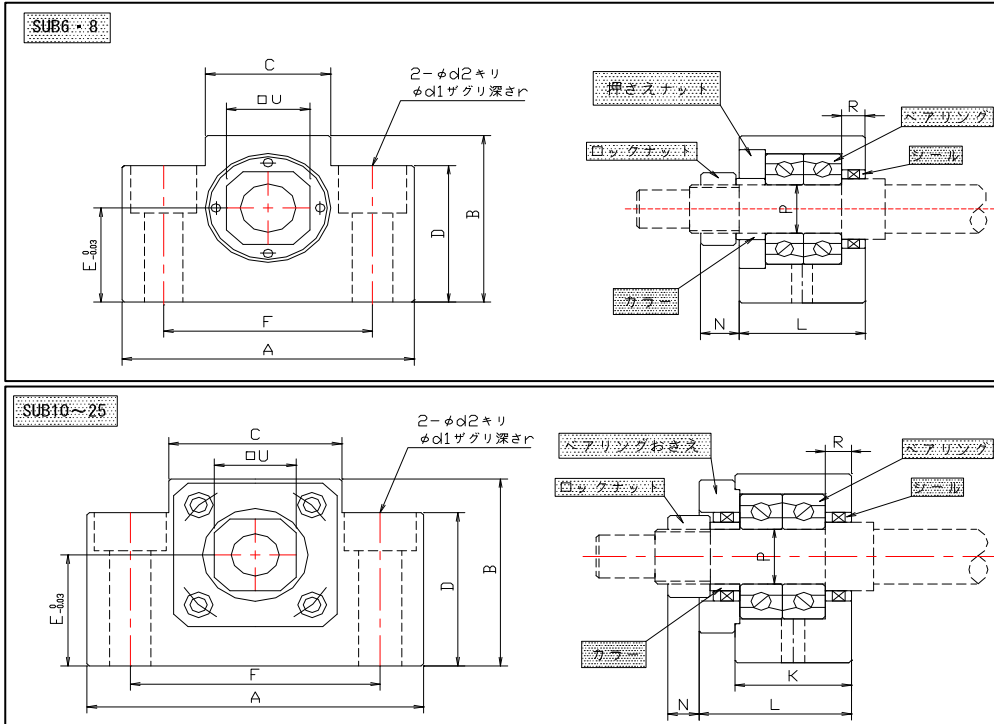


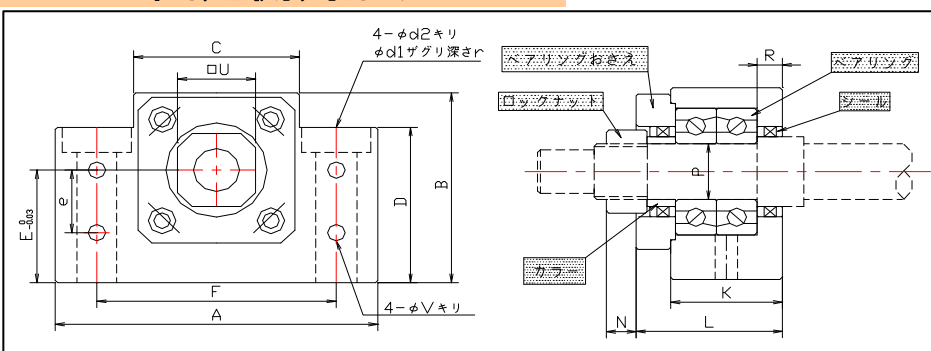
サポートユニット

SUB固定側角形タイプ



| SUB | P | A | B | C | D | E | F | K | L | R | N | d1 | d2 | r | U |
|-----|-----|----|----|----|----|----|----|----|----|-----|-----|-----|-----|----|----|
| | 6 | 42 | 25 | 18 | 20 | 13 | 30 | - | 20 | 3.4 | 5.5 | 9.5 | 5.5 | 11 | 12 |
| 8 | 52 | 32 | 25 | 26 | 17 | 38 | - | 23 | 4 | 7 | 11 | 6.6 | 14 | | |
| 10 | 70 | 43 | 36 | 35 | 25 | 52 | 24 | 30 | 6 | 5.5 | 14 | 9 | 17 | | |
| 12 | 70 | 43 | 36 | 35 | 25 | 52 | 24 | 30 | 6 | 5.5 | 14 | 9 | 19 | | |
| 15 | 80 | 50 | 41 | 40 | 30 | 60 | 25 | 31 | 5 | 12 | 17 | 11 | 15 | 22 | |
| 20 | 95 | 58 | 56 | 45 | | 75 | 42 | 52 | 10 | 10 | | | 30 | | |
| 25 | 105 | 68 | 66 | 25 | 35 | 85 | 48 | 61 | 14 | 12 | - | - | - | 35 | |

SUK 固定側角形タイプ



| SUK | P | A | B | C | D | E | e | F | K | L | R | N | d1 | d2 | r | U | V |
|-----|-----|----|----|----|------|----|----|----|----|----|----|-----|----|------|-----|-----|----|
| | 10 | 60 | 39 | 34 | 32.5 | 22 | 15 | 18 | 46 | 25 | 30 | 5 | 5 | 10.8 | 6.6 | 5 | 16 |
| 12 | 60 | 43 | 35 | 25 | | 46 | 25 | | 30 | 5 | 5 | 1.5 | | | | 19 | |
| 15 | 70 | 48 | 40 | 38 | 28 | 18 | 54 | 27 | 33 | 6 | 8 | 11 | 9 | 6.5 | 22 | 6.6 | |
| 17 | 86 | 64 | 50 | 55 | 39 | 28 | 68 | 35 | 44 | 7 | 8 | 14 | 9 | 8.5 | 24 | | |
| 20 | 88 | 60 | 52 | 50 | 34 | 22 | 70 | 35 | 43 | 8 | 8 | 14 | 9 | 8.5 | 30 | | |
| 25 | 106 | 80 | 64 | 70 | 48 | 33 | 85 | 42 | 54 | 9 | 9 | 17 | 11 | 11 | 35 | 9 | |